

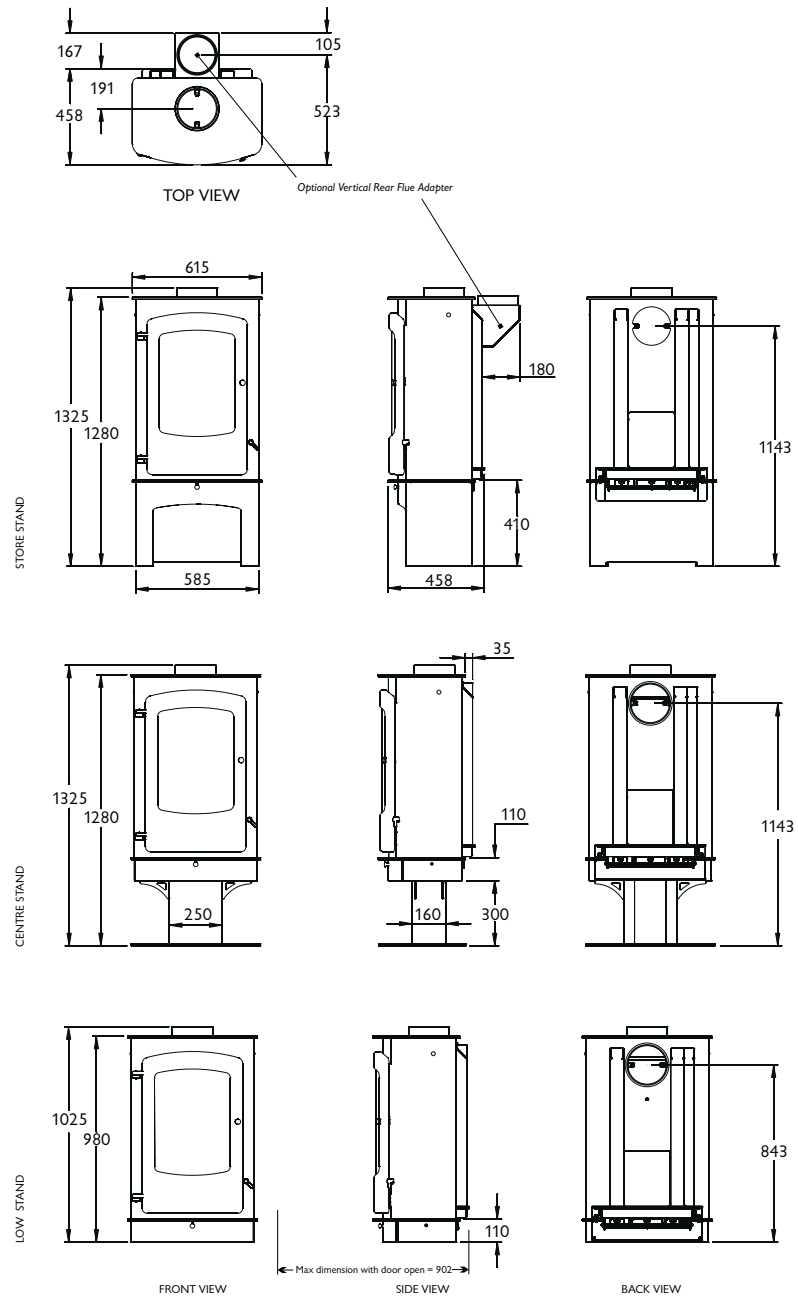
charnwood 

**COVE 3**

**STOVE DIMENSIONS**



The Charnwood COVE 3 is the largest stove in the Cove range. With a nominal output of 12kW and a maximum of 16kW it is ideally suited to a larger room, hall or open plan area. The Cove 3 is able to take a log length of up to half a metre and with its tall curved door offers a spectacular view of the fire. Once again it comes with a versatile choice of three base options and eight colour ways to suit different situations.



**Heat Output to Room**

Nominal 12kW (40,900Btu/hr) -  
Maximum 16kW (54,400 Btu/hr)

**Flue Outlet**

Top or Rear 175mm (7") diameter

**Maximum Log Length**

500mm (20 inches)

**Weight**

Store Stand: 171kg  
Centre Stand: 187kg  
Low Stand: 159kg

**Optional Accessories**

Ash Carrier  
Vertical Rear Flue Connector

